

Power-IO™

I²T Fuses and Fuse Holders

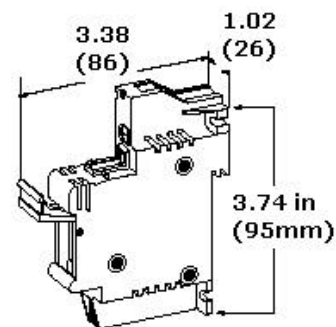
for Solid State Contactors, Solid State Relays and SCRs

For protection of solid state contactors, solid state relays or SCRs; a high speed I²T semiconductor fuse is used. I²T fuses clear within half of a sinewave to protect the solid state contactor, solid state relay, or SCR from damage from momentary, high amplitude current spikes such as short circuits.

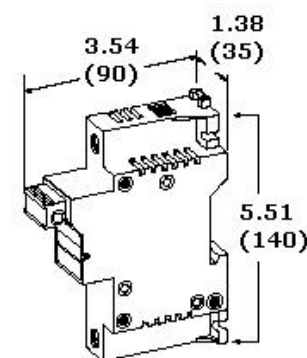
Features of the Power-IO I²T fuse and fuse holders:

- Din rail mounting clip for quick installations
- IP-20 finger-safe design
- Uses the international size standards — 10, 14, or 22 mm diameter fuses

All applications should be designed to not exceed 80% of the rating of a fuse. Additional fuse derating may be required if the fuse is installed in warm environments. I²T fuses are classified as supplemental protection of the solid state switching product. They are not approved for branch circuit protection. All installations must have appropriate branch circuit protection that meets local electrical codes.



14 mm (0.55 in.) Holder



22 mm (0.87 in.) Holder

Amps	Part Number	Fuse Diameter
KIT = FUSE & HOLDER		
10	FUSE-KIT-14-010	14 mm
25	FUSE-KIT-14-025	14
3 of 30	FUSE-KIT-14-330	3 phase
40	FUSE-KIT-14-040	14
50	FUSE-KIT-14-050	14
63	FUSE-KIT-22-063	22
75	FUSE-KIT-22-075	22
100	FUSE-KIT-22-100	22

SPARE FUSES

10	FUSE-EXT-14-010	14
25	FUSE-EXT-14-025	14
30	FUSE-EXT-14-030	14
40	FUSE-EXT-14-040	14
50	FUSE-EXT-14-050	14
75	FUSE-EXT-22-075	22
100	FUSE-EXT-22-100	22
63	FUSE-SEMIBR-63A	For internal installation in DDA/6V50
100	FUSE-SEMIBR-100	For internal installation in DDA/6V75-100
*	BUSBAR (for DDA, DAA)	Then use FUSE-KIT-22-100

FUSE HOLDERS

	FUSE-HLDR-14-01	14
	FUSE-HLDR-22-01	22
3 phase	FUSE-HLDR-14-03	3 of 14 mm
	FUSE-3HANDLE-00	Handle (gang 3)

* Due to local electrical codes or due to thermal stress on the fuse, some customers may choose to install the bus bar inside the 100 amp contactor and then use the external 100 fuse kit.