

# Power-IO™

HEATSK-DIN-1.6  
HEATSK-DIN-1.0

Part number:  
HEATSK-DIN-1.6  
HEATSK-DIN-1.0

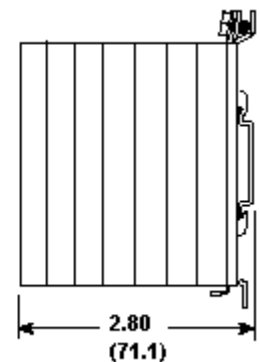
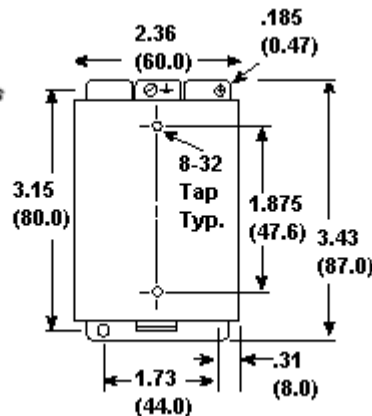
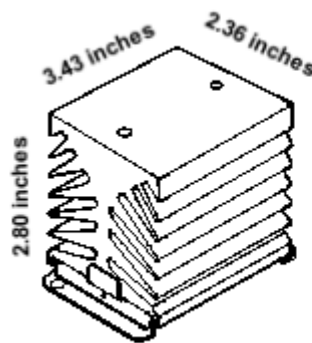
- Universal mounting bracket
- Screw mount or din-rail mount
- Cooling capacity 1.6C/W or 1.0C/W (lower C/W = better cooling capability)
- Aluminum body
- Black anodized finish
- Steel mounting bracket
- Green ground screw
- High performance in a small size
- Install vertically so unrestricted air flows up and through the fin area



HEATSK-DIN-1.6

Weight:  
13.7 oz.

Typical SSR  
Applications:  
3-40 amps



HEATSK-DIN-1.0

Weight:  
24.6 oz.

Typical SSR  
Applications:  
30-60 amps

